

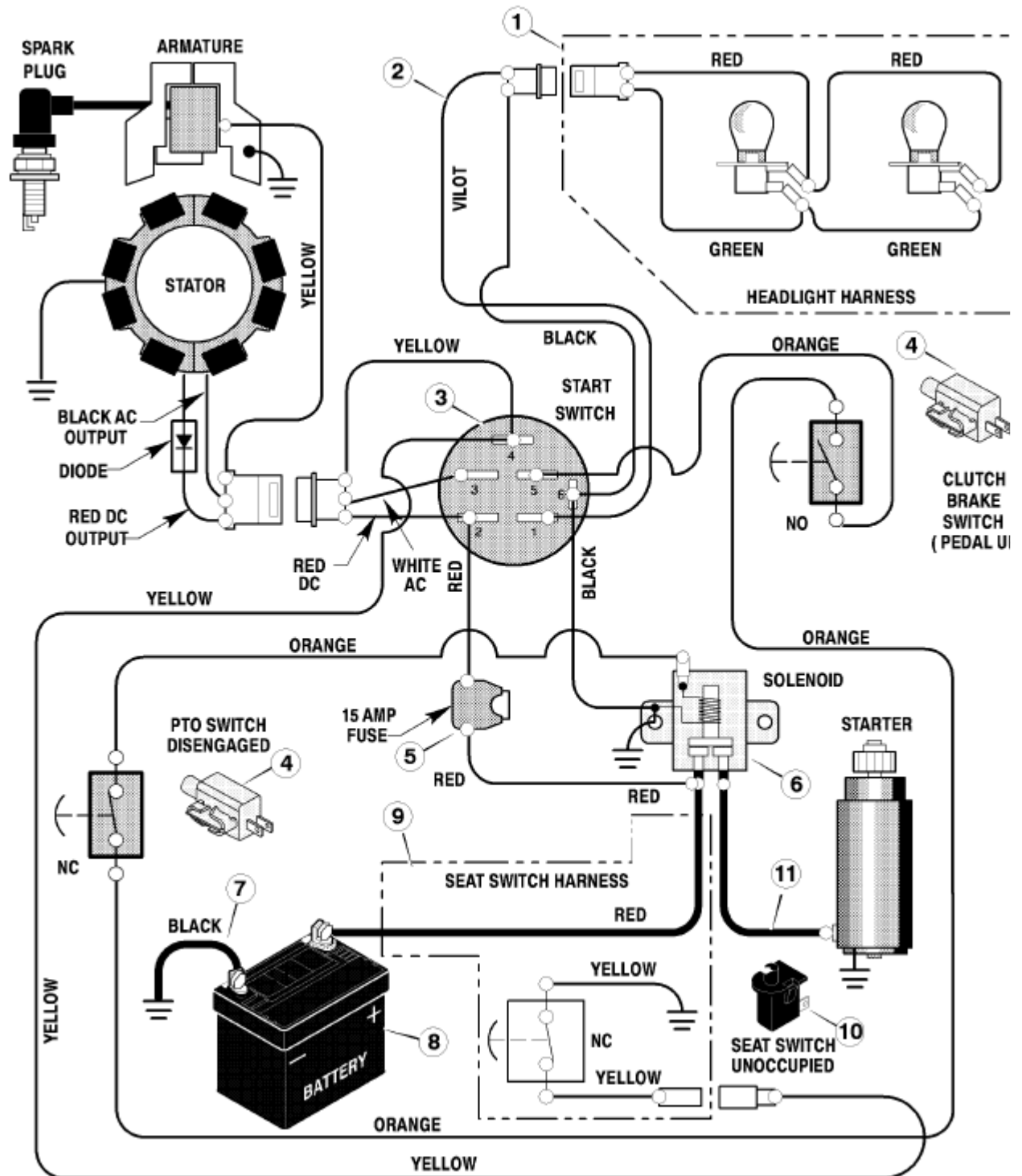
Supercessions	Ref #	Part #	<input checked="" type="checkbox"/> Description	<input checked="" type="checkbox"/> Qty	<input checked="" type="checkbox"/> Context Note	<input checked="" type="checkbox"/> Foot Note	<input checked="" type="checkbox"/> UOM
	1	690567 Add to pick list	Seat				
	2	028X23MA Add to pick list	Cap, Push On				
	3	094057MA Add to pick list	Spring				
	4	26X229MA Add to pick list	Screw				
	5	1001054MA Add to pick list	Bolt, Wing				
	6	017X47MA Add to pick list	Washer				
	7	009X56MA Add to pick list	Bolt, Shoulder				
	8	094154E701MA Add to pick list	Support, Seat				
	9	094156 Z Add to pick list	Rod, Pivot				
	10	1001648E700 Add to pick list	Bracket, Pivot				
	11	001X45MA Add to pick list	Bolt				
	12	015X89MA Add to pick list	Nut				
	13	009X55MA Add to pick list	Bolt, Shoulder				
	14	094155 Z Add to pick list	Washer				
	15	164X31 Add to pick list	Spring				
	16	26X249MA Add to pick list	Screw				
	17	26X263MA Add to pick list	Screw				
	18	164X30MA Add to pick list	Spring				
	19	1001558E245 Add to pick list	Deck, Seat				
	20	15X123MA Add to pick list	Nut				
	21	094829E701 Add to pick list	Plate, Index				
	22	009X47MA Add to pick list	Screw				
	23	094999MA Add to pick list	Mat, Left				
	24	094998MA Add to pick list	Mat, Right				
	25	1001538E245 Add to pick list	Hood				
	26	1001531E717MA Add to pick list	Grille				

	27	1001546MA <a href="#">Add to pick list</a>	Lens, Left				
	28	1001544E245 <a href="#">Add to pick list</a>	Housing, Left Headlamp				
	29	1001545MA <a href="#">Add to pick list</a>	Lens, Right				
	30	1001543E245 <a href="#">Add to pick list</a>	Housing, Right Headlamp				
	31	26X270 <a href="#">Add to pick list</a>	Screw				
	32	26X238MA <a href="#">Add to pick list</a>	Screw				
	33	1001491MA <a href="#">Add to pick list</a>	Bearing, Steering				
	34	1001584E717 <a href="#">Add to pick list</a>	Dash				
	35	26X201MA <a href="#">Add to pick list</a>	Screw				
	36	093007E701MA <a href="#">Add to pick list</a>	Panel, Access				
	37	095318E717MA <a href="#">Add to pick list</a>	Support, Dash				
↷	38	1001270E701MA <a href="#">Add to pick list</a>	Bracket, Rear Hanger				
	40	094007E700 <a href="#">Add to pick list</a>	Axle, Hanger				
	42	009X58MA <a href="#">Add to pick list</a>	Bolt				
	43	1001268E701 <a href="#">Add to pick list</a>	Frame, Right				
	44	1001269E701MA <a href="#">Add to pick list</a>	Frame, Left				
↷	45	690424MA <a href="#">Add to pick list</a>	Container, Battery				
	46	1001002E701 <a href="#">Add to pick list</a>	Plate, Hitch				
↷	47	690434E701MA <a href="#">Add to pick list</a>	Panel, Rear				
	48	1001627-717 <a href="#">Add to pick list</a>	Shield, Heat				
	49	26X277MA <a href="#">Add to pick list</a>	Screw				
	50	015X81MA <a href="#">Add to pick list</a>	Nut				
	51	15X124 <a href="#">Add to pick list</a>	Nut				
	52	690482E701 <a href="#">Add to pick list</a>	Support, Battery				
	53	1001541MA <a href="#">Add to pick list</a>	Insert, Grille				
	57	1001652MA <a href="#">Add to pick list</a>	Trim, Hood (3.75")				
	58	1001653MA <a href="#">Add to pick list</a>	Trim, Hood (6.5")				
	59	1001755MA <a href="#">Add to pick list</a>	Grommet, Parking Brake				

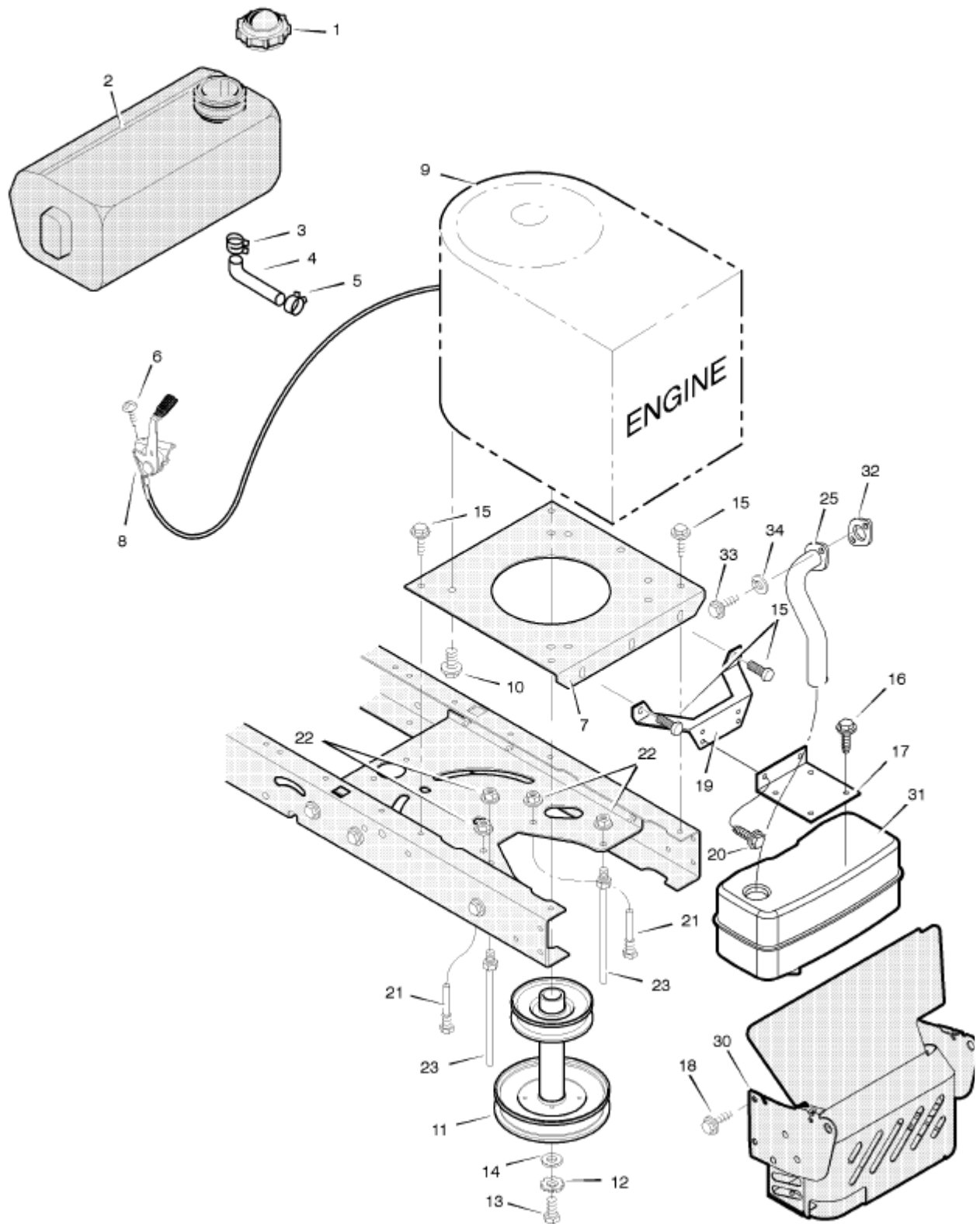
70 1001542MA  
Holder, Cup  
[Add to pick list](#)

-- 690650  
Parts Bag, Assembly  
[Add to pick list](#)

-- F-040716L  
Instruction Book &  
Parts List  
[Add to pick list](#)




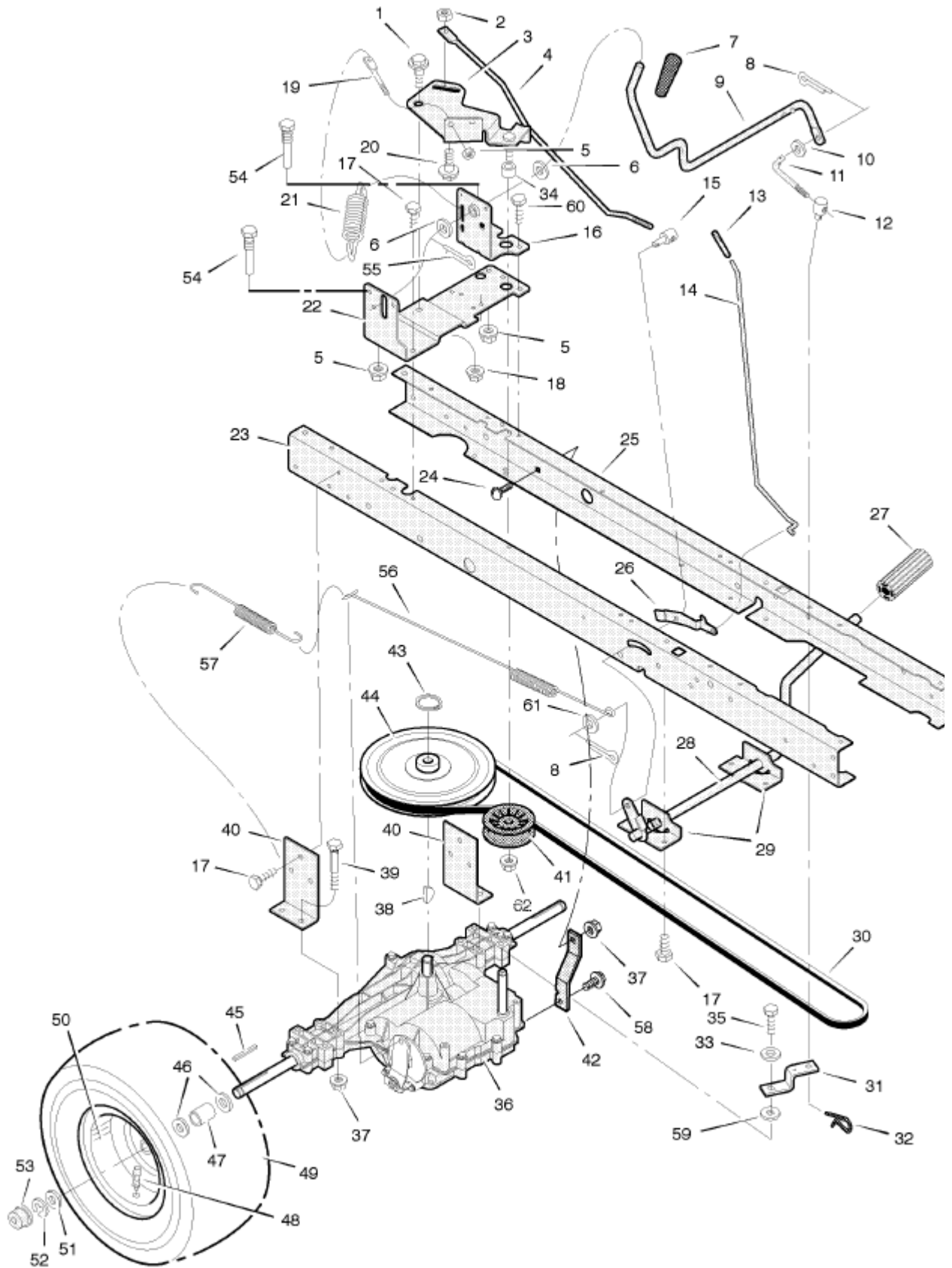
Supercessions	Ref #	Part #	Description	Qty	Context Note	Foot Note	UOM
	1	250X92MA <a href="#">Add to pick list</a>	Harness, Light Wire				
	--	1001716MA <a href="#">Add to pick list</a>	Socket, Light				
	--	090084MA <a href="#">Add to pick list</a>	Bulb, Light				
	2	250X113 <a href="#">Add to pick list</a>	Harness, Chassis Wire				
	3	092377MA <a href="#">Add to pick list</a>	Switch, Ignition				
	--	020729 <a href="#">Add to pick list</a>	Key, Ignition				
	--	091489MA <a href="#">Add to pick list</a>	Nut, Hex				
	--	091488 <a href="#">Add to pick list</a>	Cap, Ignition				
	4	1001575MA <a href="#">Add to pick list</a>	Switch, Limit				
	5	302031MA <a href="#">Add to pick list</a>	Fuse				
	--	407078MA <a href="#">Add to pick list</a>	Holder, Fuse				
	6	094613 <a href="#">Add to pick list</a>	Solenoid				
	--	26X229MA <a href="#">Add to pick list</a>	Screw, Mounting				
	--	15X116MA <a href="#">Add to pick list</a>	Locknut				
	7	024X32MA <a href="#">Add to pick list</a>	Cable, Battery Ground				
	--	26X213MA <a href="#">Add to pick list</a>	Screw, Ground Cable				
	8	021075 <a href="#">Add to pick list</a>	Battery				
	--	002X82MA <a href="#">Add to pick list</a>	Bolt, Carriage				
	--	014X79MA <a href="#">Add to pick list</a>	Wingnut				
	--	690604MA <a href="#">Add to pick list</a>	BOOT, Battery Terminal, Positive				
	9	250X67MA <a href="#">Add to pick list</a>	Harness, Seat Switch Wire				
	10	094159MA <a href="#">Add to pick list</a>	Switch, Seat Sensor				
	11	024X31MA <a href="#">Add to pick list</a>	Cable				



Supercessions	Ref #	Part #	<input checked="" type="checkbox"/>	<input checked="" type="checkbox"/>	<input checked="" type="checkbox"/>	<input checked="" type="checkbox"/>	<input checked="" type="checkbox"/>	
			Description	Qty	Context	Note	Foot Note	UOM
↷	1	092317MA <a href="#">Add to pick list</a>	Fuel Cap					
↷	2	7601092MA <a href="#">Add to pick list</a>	TANK, Fuel 1.4 Gal.					
	3	095197MA <a href="#">Add to pick list</a>	Hose Clamp					
	4	7601033MA <a href="#">Add to pick list</a>	Fuel Line (Must cut to length)					
	5	095197MA <a href="#">Add to pick list</a>	Hose Clamp					
	6	26X201MA <a href="#">Add to pick list</a>	Screw					
	7	094006E700 <a href="#">Add to pick list</a>	Plate, Engine					
	8	092371MA <a href="#">Add to pick list</a>	Throttle Control					
	9	----- <a href="#">Add to pick list</a>	Engine, Briggs & Stratton *				Note* For Replacement Parts see the Transaxle manufacturer.	
	10	0025X7MA <a href="#">Add to pick list</a>	Bolt, Engine Mount					
↷	11	690439MA <a href="#">Add to pick list</a>	STACK PULLEY ASSEMBLY					
	12	019X35MA <a href="#">Add to pick list</a>	Lockwasher					
	13	01X140MA <a href="#">Add to pick list</a>	Bolt, Hex					
	14	17X170MA <a href="#">Add to pick list</a>	Washer					
	15	26X249MA <a href="#">Add to pick list</a>	Screw					
	16	26X229MA <a href="#">Add to pick list</a>	Screw					
	17	690538E701MA <a href="#">Add to pick list</a>	Bracket, Muffler					
	18	26X277MA <a href="#">Add to pick list</a>	Screw					
↷	19	690537E701MA <a href="#">Add to pick list</a>	Bracket, Muffler Mount					
	20	26X263MA <a href="#">Add to pick list</a>	Screw					
	21	094384MA <a href="#">Add to pick list</a>	Guide, Belt					
	22	015X79 Z <a href="#">Add to pick list</a>	Nut, Flange					
	23	094066MA <a href="#">Add to pick list</a>	Guide, Belt					
	25	1001747MA <a href="#">Add to pick list</a>	Exhaust Tube, Single					
	30	1001627-717 <a href="#">Add to pick list</a>	Shield, Heat					



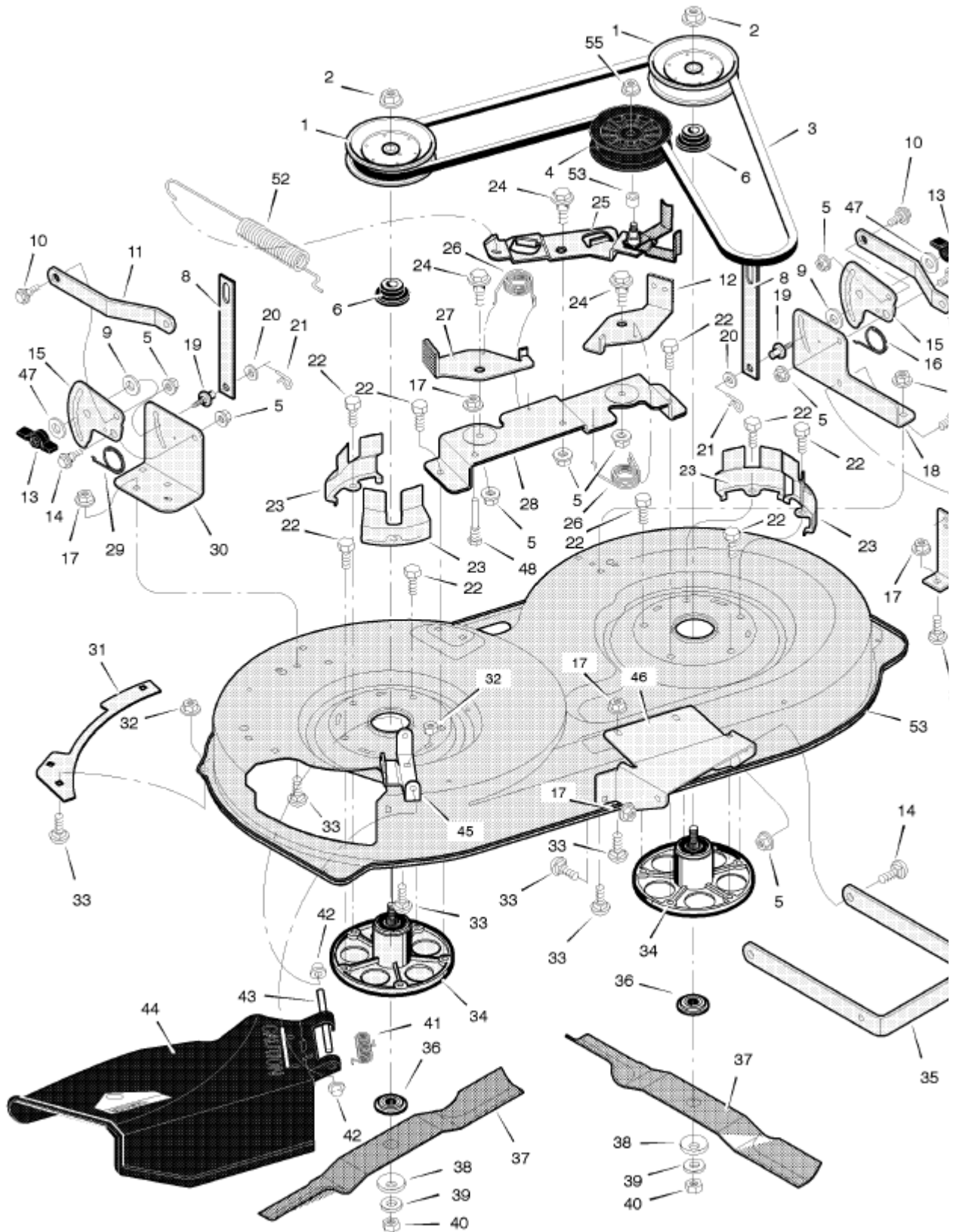
	--	1001620E701MA <a href="#">Add to pick list</a>	GUARD, Heat Shield		(Not Illustrated)		
	31	094654MA <a href="#">Add to pick list</a>	Muffler				
	32	692236 <a href="#">Add to pick list</a>	Gasket				
	33	06X103MA <a href="#">Add to pick list</a>	Screw				
	34	018X15MA <a href="#">Add to pick list</a>	Washer				



Supercessions	Ref #	Part #	<input checked="" type="checkbox"/>	<input checked="" type="checkbox"/>	<input checked="" type="checkbox"/>	<input checked="" type="checkbox"/>	<input checked="" type="checkbox"/>	
			Description	Qty	Context	Note	Foot Note	UOM
	1	009X39MA <a href="#">Add to pick list</a>	Bolt, Shoulder					
	2	015X89MA <a href="#">Add to pick list</a>	Nut, Hex					
	3	690273E700 <a href="#">Add to pick list</a>	Arm, Idler					
	4	094041 Z <a href="#">Add to pick list</a>	Rod, Clutch					
	5	015X79MA <a href="#">Add to pick list</a>	Nut					
	6	17X102MA <a href="#">Add to pick list</a>	Washer					
	7	092697MA <a href="#">Add to pick list</a>	Grip					
	8	030X20MA <a href="#">Add to pick list</a>	Pin, Cotter					
	9	094043 Z <a href="#">Add to pick list</a>	Lever, Shift					
	10	017X47MA <a href="#">Add to pick list</a>	Washer					
	11	094044 Z <a href="#">Add to pick list</a>	Link, Shift					
	12	021920ZMA <a href="#">Add to pick list</a>	Nut, Adjuster					
	13	091079MA <a href="#">Add to pick list</a>	Grip					
	14	1001245 Z <a href="#">Add to pick list</a>	Rod, Parking Brake					
	15	094815 <a href="#">Add to pick list</a>	Nut, Adjuster					
	16	1001303 Z <a href="#">Add to pick list</a>	Bracket, Shift Pivot					
	17	26X249MA <a href="#">Add to pick list</a>	Screw					
	18	015X84MA <a href="#">Add to pick list</a>	Nut					
	19	094042 Z <a href="#">Add to pick list</a>	Mount, Stud Spring					
	20	009X54MA <a href="#">Add to pick list</a>	Bolt, Shoulder					
	21	165X116MA <a href="#">Add to pick list</a>	Spring, Extension					
	22	1001302E701 <a href="#">Add to pick list</a>	Bracket, Right Shifter					
	23	1001268E701 <a href="#">Add to pick list</a>	Frame, Right					
	24	002X53MA <a href="#">Add to pick list</a>	Bolt, Carriage					
	25	1001269E701MA <a href="#">Add to pick list</a>	Frame, Left					
	26	094045 Z <a href="#">Add to pick list</a>	Latch, Parking Brake					

	27	021544MA Add to pick list	Pedal				
	28	094038E701MA Add to pick list	Lever, Brake/Clutch				
	29	1001117E701 Add to pick list	Bracket, Pedal				
	30	037X87MA Add to pick list	Belt, Motion Drive				
	31	094031ZMA Add to pick list	Yoke, Shift				
	32	0031X6MA Add to pick list	Pin, Hair				
	33	017X38MA Add to pick list	Washer				
	34	690369MA Add to pick list	Spacer				
	35	06X105MA Add to pick list	Bolt				
	36	----- Add to pick list	Transaxle, Peerless **			Note** Contact your nearest Peerless transaxle dealer for parts and service.	
	37	015X88MA Add to pick list	Nut				
	38	020697MA Add to pick list	Key, Woodruff				
	39	01X155MA Add to pick list	Bolt				
	40	094008E701MA Add to pick list	Bracket, Transaxle				
	41	690409MA Add to pick list	Pulley				
	42	094433E701MA Add to pick list	BRACKET, Torque Strap, LH				
	43	0011X7MA Add to pick list	Ring Retainer				
	44	095094MA Add to pick list	Pulley, Drive				
	45	021553MA Add to pick list	Key, Square				
	46	17X160MA Add to pick list	Washer				
	47	690554 Z Add to pick list	Spacer, Transaxle				
	48	024373MA Add to pick list	Stem, Valve				
	49	091923MA Add to pick list	Tire *			Note* When you order a tire, make sure to give the brand name of the tire so that the tread pattern on the tire will match.	
	--	407049MA	Tube				

		<a href="#">Add to pick list</a>					
	50	92288601 <a href="#">Add to pick list</a>	Wheel & Tire Assembly				
	51	17X195MA <a href="#">Add to pick list</a>	Washer				
	52	0011X3MA <a href="#">Add to pick list</a>	E-Ring				
	53	094618MA <a href="#">Add to pick list</a>	Hub Cap				
	54	093349MA <a href="#">Add to pick list</a>	Guide, Belt				
	55	0031X4MA <a href="#">Add to pick list</a>	Pin, Hair				
	56	165X115MA <a href="#">Add to pick list</a>	Spring, Extension				
	57	165X92MA <a href="#">Add to pick list</a>	Spring, Extension				
	58	26X216MA <a href="#">Add to pick list</a>	Screw				
	59	17X148MA <a href="#">Add to pick list</a>	Washer				
	60	26X267MA <a href="#">Add to pick list</a>	Screw				
	61	17X169MA <a href="#">Add to pick list</a>	Washer				
	62	015X98MA <a href="#">Add to pick list</a>	Nut				

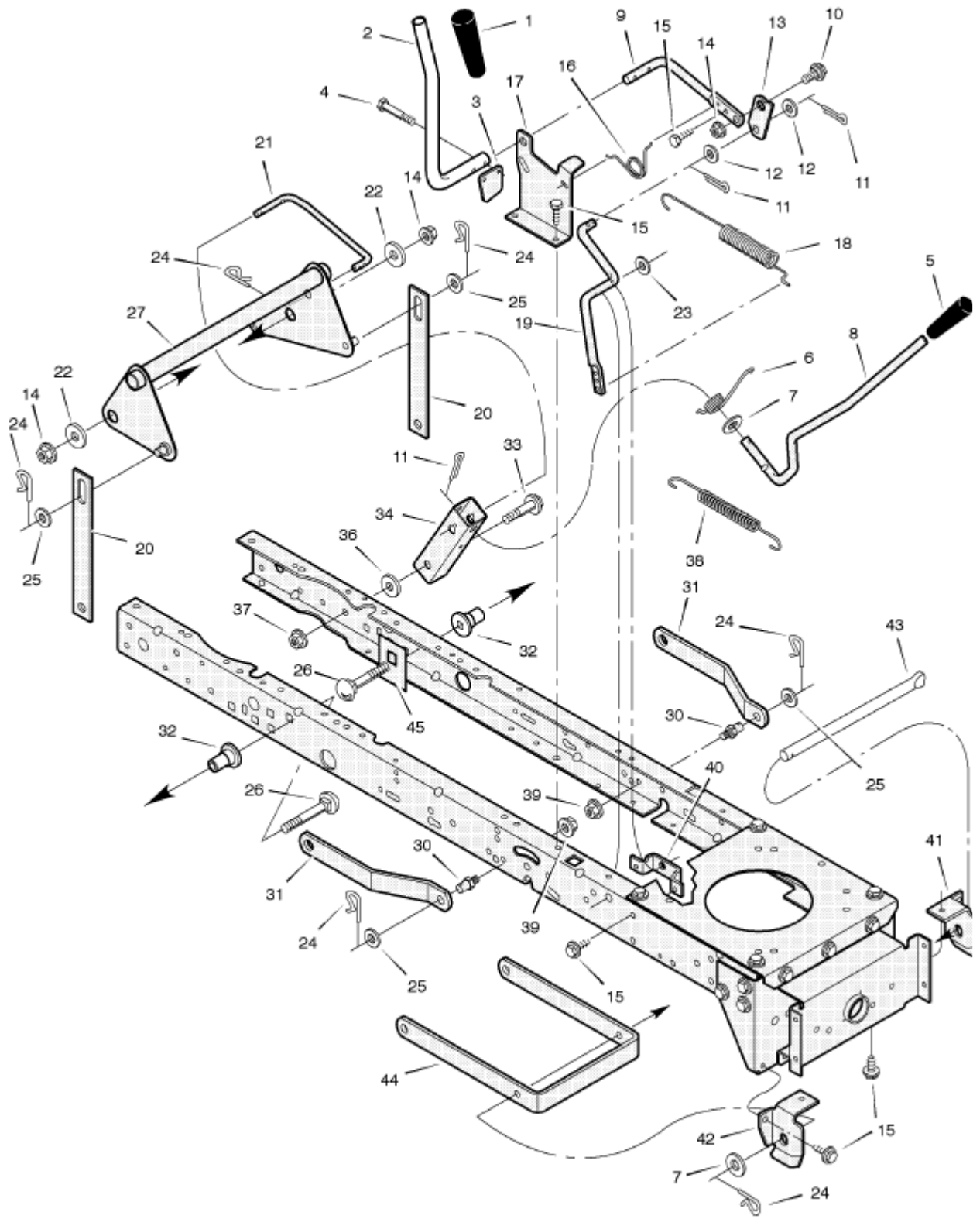


Supercessions	Ref #	Part #	<input checked="" type="checkbox"/>	<input checked="" type="checkbox"/>	<input checked="" type="checkbox"/>	<input checked="" type="checkbox"/>	<input checked="" type="checkbox"/>
			Description	Qty	Context Note	Foot Note	UOM
	1	092852MA <a href="#">Add to pick list</a>	Pulley, Jackshaft				
	2	15X140MA <a href="#">Add to pick list</a>	Nut, Hex				
	3	037X86MA <a href="#">Add to pick list</a>	Belt, Mower Drive				
	4	690387MA <a href="#">Add to pick list</a>	Pulley, Idler				
	5	015X84MA <a href="#">Add to pick list</a>	Nut, Flange				
	6	1001197MA <a href="#">Add to pick list</a>	Spacer, Pulley				
	8	690212E701MA <a href="#">Add to pick list</a>	Link, Lift				
	9	094137MA <a href="#">Add to pick list</a>	Pad, Friction				
	10	009X52MA <a href="#">Add to pick list</a>	Bolt, Shoulder				
	11	094055E701MA <a href="#">Add to pick list</a>	Bracket, Suspension				
	12	094049E701MA <a href="#">Add to pick list</a>	Pad Assembly, Left Brake				
	13	094068MA <a href="#">Add to pick list</a>	Knob				
	14	009X51MA <a href="#">Add to pick list</a>	Bolt, Shoulder				
	15	094128E700MA <a href="#">Add to pick list</a>	Plate, Suspension				
	16	166X43MA <a href="#">Add to pick list</a>	Spring				
	17	015X79MA <a href="#">Add to pick list</a>	Nut, Flange				
	18	094054E700 <a href="#">Add to pick list</a>	Bracket, Left Suspension				
	19	095194 <a href="#">Add to pick list</a>	Pin, Hanger				
	20	017X91MA <a href="#">Add to pick list</a>	Washer				
	21	0031X4MA <a href="#">Add to pick list</a>	Pin, Cotter				
	22	0025X7MA <a href="#">Add to pick list</a>	Bolt				
	23	094051E701MA <a href="#">Add to pick list</a>	Cover, Pulley				
	24	009X39MA <a href="#">Add to pick list</a>	Bolt, Shoulder				
	25	1001499MA <a href="#">Add to pick list</a>	Arm, Idler				
	26	166X41MA <a href="#">Add to pick list</a>	Spring				
	27	094047E701MA <a href="#">Add to pick list</a>	Pad Assembly, Right Brake				

	28	094059E700MA <a href="#">Add to pick list</a>	Bracket Assembly, Brake				
	29	166X42MA <a href="#">Add to pick list</a>	Spring				
	30	094052E701 <a href="#">Add to pick list</a>	Bracket, Right Suspension				
	31	091770E700MA <a href="#">Add to pick list</a>	Plate				
	32	015X88MA <a href="#">Add to pick list</a>	Nut, Flange				
	33	002X53MA <a href="#">Add to pick list</a>	Bolt, Carriage				
	34	1001200MA <a href="#">Add to pick list</a>	Mandrell	(Includes Ref. No. 6)			
	35	690539E701MA <a href="#">Add to pick list</a>	Bracket, Suspension				
	36	690411MA <a href="#">Add to pick list</a>	Adapter, Blade				
	37	1001427E701MA <a href="#">Add to pick list</a>	Blade				
	38	17X166MA <a href="#">Add to pick list</a>	Washer				
	39	17X165MA <a href="#">Add to pick list</a>	Washer				
	40	15X100MA <a href="#">Add to pick list</a>	Nut				
	41	0166X4MA <a href="#">Add to pick list</a>	Spring				
	42	028X23MA <a href="#">Add to pick list</a>	Cap, Push On				
	43	094957 Z <a href="#">Add to pick list</a>	Rod, Pivot				
	44	094707MA <a href="#">Add to pick list</a>	Deflector Assembly				
	45	094956E701MA <a href="#">Add to pick list</a>	Bracket, Deflector				
	46	094062E700 <a href="#">Add to pick list</a>	Bracket, Front Hanger				
	47	017X45 Z <a href="#">Add to pick list</a>	Washer				
	48	094781MA <a href="#">Add to pick list</a>	Guide, Belt				
	50	094681E700 <a href="#">Add to pick list</a>	Bracket, Support				
	51	26X249MA <a href="#">Add to pick list</a>	Screw				
	52	165X118MA <a href="#">Add to pick list</a>	Spring, Extension				
	53	690369MA <a href="#">Add to pick list</a>	Spacer				
	54	094060E700 <a href="#">Add to pick list</a>	Housing <input type="checkbox"/> Export Blade	(Includes Ref. No. 17, 18, 30, 31, 32, 33, 45, 46, 47 and 51)			
	55	015X98MA	Nut, Flange				

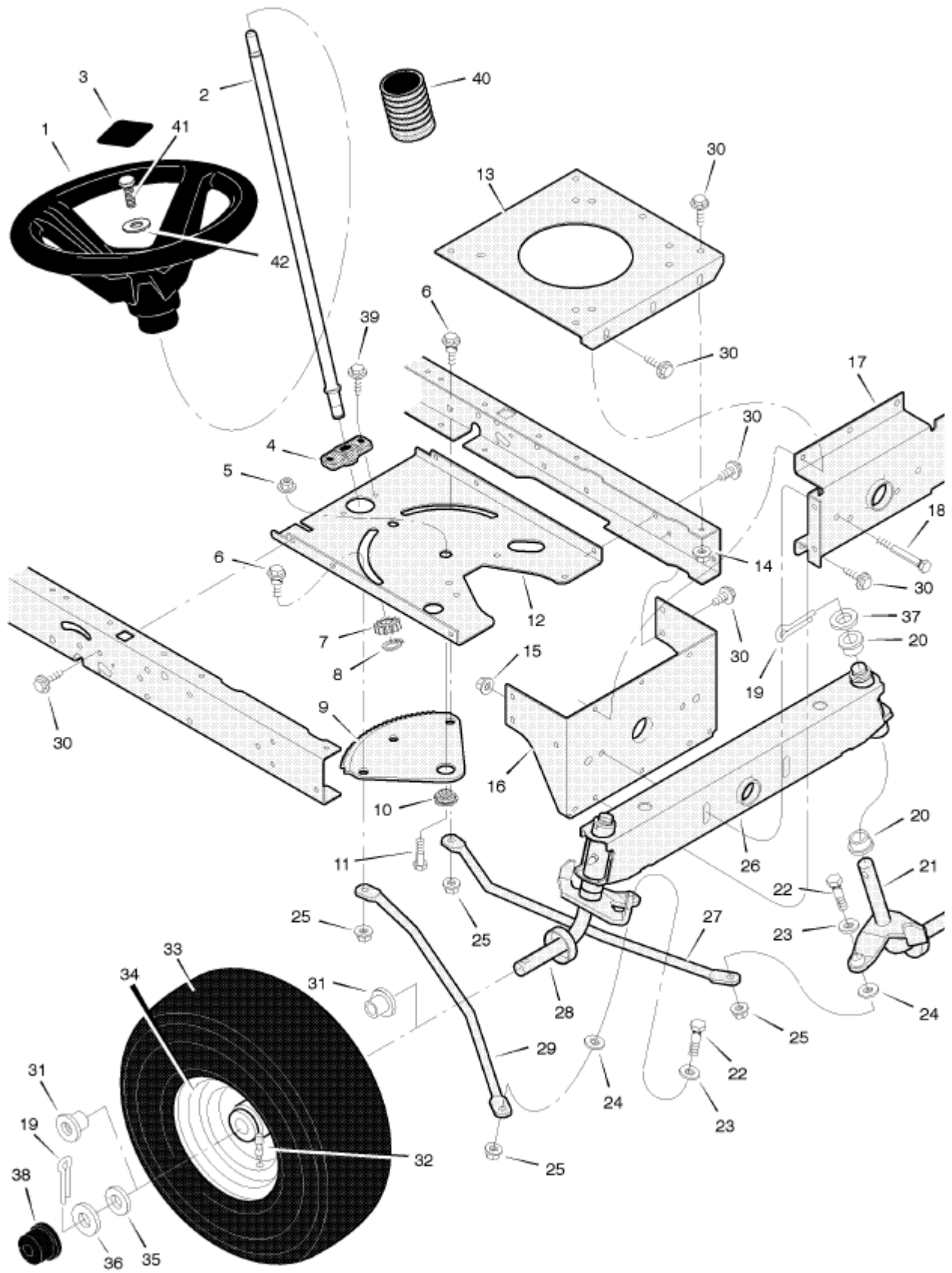


Add to pick list



Supercessions	Ref #	Part #	<input checked="" type="checkbox"/> Description	<input checked="" type="checkbox"/> Qty	<input checked="" type="checkbox"/> Context Note	<input checked="" type="checkbox"/> Foot Note	<input checked="" type="checkbox"/> UOM
	1	092698MA Add to pick list	Grip				
	2	094157 Z Add to pick list	Handle, PTO				
	3	094022 Z Add to pick list	Pad, Switch				
	4	0025X3MA Add to pick list	Screw, Hex				
	5	092697MA Add to pick list	Grip				
	6	166X40MA Add to pick list	Spring				
	7	17X103MA Add to pick list	Washer				
	8	690533MA Add to pick list	Handle, Lift				
	9	094017 Z Add to pick list	Lever, PTO				
	10	009X39MA Add to pick list	Bolt, Shoulder				
	11	030X20MA Add to pick list	Pin, Cotter				
	12	017X57MA Add to pick list	Washer				
	13	094004 Z Add to pick list	Link, PTO				
	14	015X84MA Add to pick list	Nut, Flange				
	15	26X249MA Add to pick list	Screw				
	16	166X39MA Add to pick list	Spring				
	17	094018E701MA Add to pick list	Bracket, PTO				
	18	165X118MA Add to pick list	Spring				
	19	690394E701MA Add to pick list	Crank, PTO				
	20	690212E701MA Add to pick list	Link, Lift				
	21	690122 Z Add to pick list	Link, Lift Handle				
	22	17X168ZMA Add to pick list	Washer				
	23	017X57MA Add to pick list	Washer				
	24	0031X4MA Add to pick list	Pin, Hair				
	25	017X91MA Add to pick list	Washer				
	26	002X85MA Add to pick list	Bolt, Carriage				

	27	1001111E700MA <a href="#">Add to pick list</a>	Lever Assembly, Lift				
	30	094067MA <a href="#">Add to pick list</a>	Pin				
	31	094055E701MA <a href="#">Add to pick list</a>	Bracket, Rear Suspension				
	32	690151MA <a href="#">Add to pick list</a>	Spacer, Lifter				
	33	009X53MA <a href="#">Add to pick list</a>	Bolt, Shoulder				
	34	094015E700 <a href="#">Add to pick list</a>	Bracket, Pivot				
	36	17X191MA <a href="#">Add to pick list</a>	Washer				
	37	015X84MA <a href="#">Add to pick list</a>	Nut, Flange				
	38	165X131MA <a href="#">Add to pick list</a>	Spring				
	39	015X68MA <a href="#">Add to pick list</a>	Nut, Flange				
	40	094005E701 <a href="#">Add to pick list</a>	Bracket, PTO				
	41	094027E701MA <a href="#">Add to pick list</a>	Hanger, Left Deck				
	42	094026E700 <a href="#">Add to pick list</a>	Hanger, Right Deck				
	43	094158 Z <a href="#">Add to pick list</a>	Rod, Hanger				
	44	690539E701MA <a href="#">Add to pick list</a>	Bracket, Suspension				
	45	1001098E701 <a href="#">Add to pick list</a>	Plate, Stiffening				



Supercessions	Ref #	Part #	<input checked="" type="checkbox"/> Description	<input checked="" type="checkbox"/> Qty	<input checked="" type="checkbox"/> Context Note	<input checked="" type="checkbox"/> Foot Note	<input checked="" type="checkbox"/> UOM
	1	095184 <a href="#">Add to pick list</a>	Wheel, Steering				
	2	690625 <a href="#">Add to pick list</a>	Post, Steering				
	3	711325MA <a href="#">Add to pick list</a>	Insert, Steering Wheel				
	4	094124MA <a href="#">Add to pick list</a>	Bearing				
	5	15X111MA <a href="#">Add to pick list</a>	Nut, Flange				
	6	009X57MA <a href="#">Add to pick list</a>	Bolt, Shoulder				
	7	690183MA <a href="#">Add to pick list</a>	Gear, Pinion				
	8	011X25MA <a href="#">Add to pick list</a>	Ring, Snap				
	9	094121MA <a href="#">Add to pick list</a>	Gear, Sector				
	10	094123MA <a href="#">Add to pick list</a>	Bearing				
	11	001X84MA <a href="#">Add to pick list</a>	Bolt				
↷	12	1001121E701MA <a href="#">Add to pick list</a>	Plate, Steering				
	13	094006E700 <a href="#">Add to pick list</a>	Plate, Engine				
	14	015X88MA <a href="#">Add to pick list</a>	Nut, Flange				
	15	15X118MA <a href="#">Add to pick list</a>	Nut, Flange				
↷	16	1001270E701MA <a href="#">Add to pick list</a>	Bracket, Hanger				
↷	17	094007E701MA <a href="#">Add to pick list</a>	Axle, Hanger				
	18	01X146MA <a href="#">Add to pick list</a>	Bolt				
	19	030X49MA <a href="#">Add to pick list</a>	Pin, Cotter				
	20	690150MA <a href="#">Add to pick list</a>	Bearing				
	21	094576E701MA <a href="#">Add to pick list</a>	Spindle Assembly, Left				
	22	01X111MA <a href="#">Add to pick list</a>	Bolt				
↷	23	17X104MA <a href="#">Add to pick list</a>	Washer				
	24	017X53 Z <a href="#">Add to pick list</a>	Washer				
	25	015X84MA <a href="#">Add to pick list</a>	Nut, Flange				
↷	26	690210MA <a href="#">Add to pick list</a>	Axle Assembly				

	27	095329E701MA <a href="#">Add to pick list</a>	Drag Link, Left				
	28	094575E701MA <a href="#">Add to pick list</a>	Spindle Assembly, Right				
	29	095328E701MA <a href="#">Add to pick list</a>	Drag Link, Right				
	30	26X249MA <a href="#">Add to pick list</a>	Screw				
	31	091334 <a href="#">Add to pick list</a>	Bearing, Wheel				
	32	024373MA <a href="#">Add to pick list</a>	Stem, Valve				
	33	----- <a href="#">Add to pick list</a>	Tire *				
	--	407046MA <a href="#">Add to pick list</a>	Tube				
	34	094578601 <a href="#">Add to pick list</a>	Wheel and Tire Assembly				
	35	17X195MA <a href="#">Add to pick list</a>	Washer				
	36	17X192MA <a href="#">Add to pick list</a>	Washer				
	37	017X113 <a href="#">Add to pick list</a>	Washer				
	38	094618MA <a href="#">Add to pick list</a>	Hub Cap				
	39	26X267MA <a href="#">Add to pick list</a>	Screw				
	40	054789MA <a href="#">Add to pick list</a>	Bellows				
	41	0025X3MA <a href="#">Add to pick list</a>	Screw, Hex				
	42	17X146MA <a href="#">Add to pick list</a>	Washer				

Note\* When you order a tire, make sure to give the brand name of the tire so that the tread pattern on the tire will match.